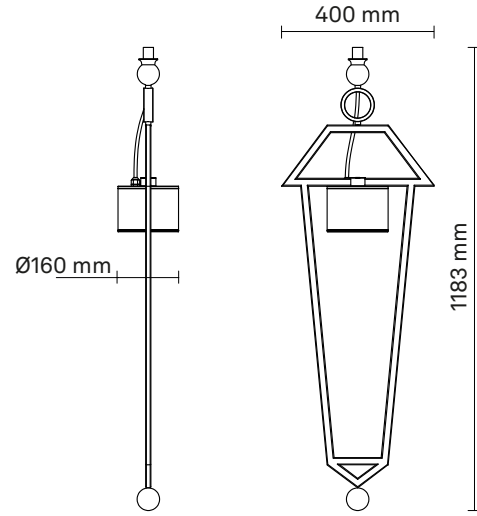


## Lanterna 2D | Luminaire | Lanterna 2D



Ordering Information / Guide

Example: **LU2D01-N-D02-827-L045-SP-V1-F06-M2-CN0**

Optique	Ra+K	Luminous flux	Screen finish	Power supply	Driver Function	ISO Class	Finish
D02 Type II	827 Ra80 2700 K	L045 4500 lm	SP Prismatic	V1 220V-240V	F06 DALI+CLO	M2 Class II	CN0 Grey [Neri] Textured

Generated code: **LU2D01 - N** - \_\_\_\_\_

## Lanterna 2D | Luminaire | Lanterna 2D

### SOURCE

COB LED.	
Energy-efficiency class	D
LED forward current	691 mA
Power rating	34 W
Nominal Flux	4500 lm
Nominal CCT (Colour temperature)	2700 K
Color Rendering Index (Ra)	80
Standard Deviation Colour Matching	≤3

### LIGHTING CHARACTERISTICS

Single silicone lens.	
LED quantity	1

### ELECTRICAL CHARACTERISTICS

Luminaire power	40 W
Power supply	220V-240V~ 50/60Hz
Insulation class	Class II

### MECHANICAL CHARACTERISTICS

Structure composed of a galvanized steel frame and a lighting module made of CNC-machined solid aluminum, with an integrated heat sink. Protective screen in transparent prismatic tempered flat glass, IK08 impact resistant (EN 62262), available in an extra-clear version upon request. Equipped with an osmotic valve for internal and external pressure balancing and supplied pre-wired. Stainless steel screws.

Length	400 mm
Width	160 mm
Height	1183 mm
Weight	8 kg

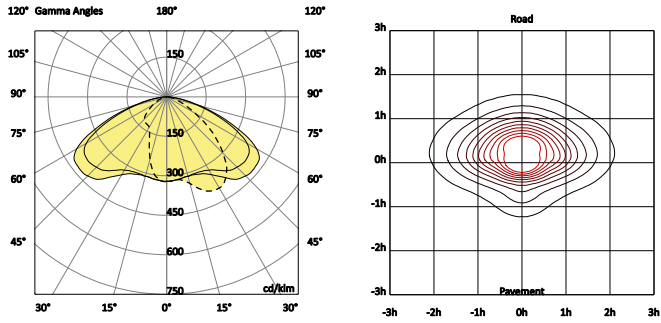
### INSTALLATION

Suspended installation via G 3/4" male threaded connection.

## Lanterna 2D | Luminaire | Lanterna 2D

Optic: Type II

Screen finish: Prismatic



## Lanterna 2D | Luminaire | Lanterna 2D

Optic: Type II

Screen finish: Prismatic

System					Source			IPEA				
Luminous Flux	Nominal CCT	W	lm/W	n° led	mA	W	lm/W	Road	Urban	Ped	Park	Art
4500 lm	2700 K	40	112	1	691	34	132	A4+	A5+	A3+	A3+	A7+